

NorDrill

Innovation & Power combined

Advanced Top Drive drilling systems

NorDrill have been delivering state of the art Top Drive systems for the last 21 years, to the oil and gas industry.

Our design philosophy is to reduce downtime by being cost efficient throughout the lifeline of our products. NorDrill`s Top Drive systems are equipped with advanced technology to ensure safety and efficiency on drill floor.

The company`s design meets any drilling applications whether offshore, dessert or arctic environments.

NorDrill specialize in tailor made solutions in every size and configuration to meet our client`s needs. All our Top Drives are designed to meet the API 8-C standards.

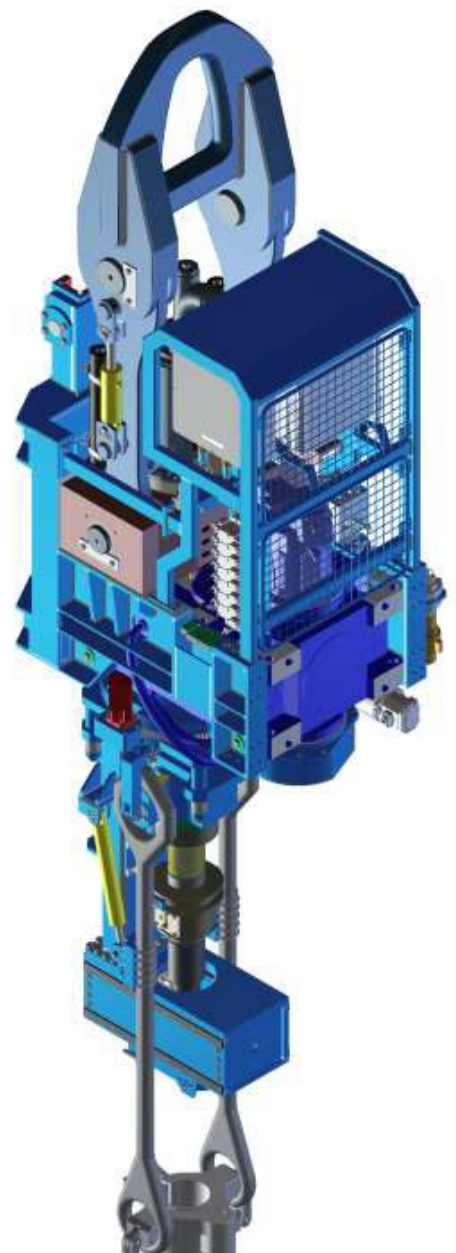
Throughout our expertise, products and operational support, NorDrill makes sure our clients are sustainable both now, and in the future.

Top Drive

The NorDrill Top Drives is designed with a compact design to easy fit into existing rigs.

Main Features

Modular Design	Enables larger overhauls and repairs on-site
Bearings	High capacity bearings
Communication	Single BUS cable for communication between the Power Pack and the Top Drive
Delivery	Can be delivered as standalone system, or integrated in existing rig structure
Interface	Intelligent, safe and intuitive interface
Support	Remote Access System enables NorDrill's engineers to support customers all over the world without the need of on-site assistance
Lubrication system	Self-maintained gear lubrication system
Pipehandler	Fully remote operated Pipehandler with 360dg free rotation, position lock, IBOP operation, bi-directional link tilt and backup tong. Also controls hydraulic or pneumatic elevator when installed.
Lubrication system	Self-maintained gear lubrication system
Gear	Custom made gear ratio for optimal speed and torque
IBOP	Single IBOP (mud saver valve) remotely operated from drillers panel
Link tilt system	Remote operated link tilt system, total 70 degrees
Thread saver	The wide inner Hydraulic weight compensation to make stabbing in/spinning out soft, and free from risk of damage to threads on make-up or break-out Also function as damping like conventional spring-hook
Loops	Quick connectors for all loops



Technical information – Hydraulic driven Top Drives

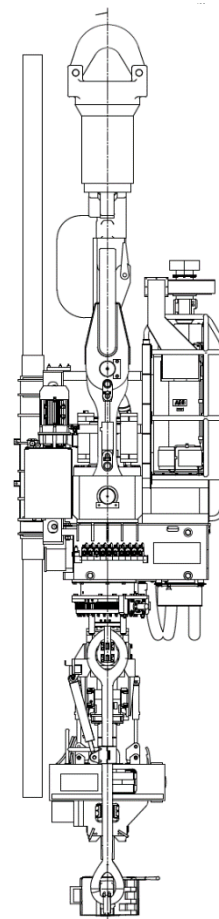
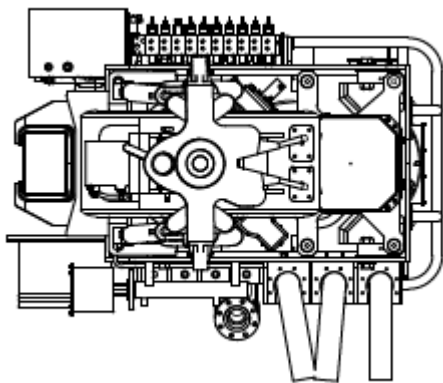
NorDrills Hydraulic Top Drive Systems are delivered alone or as complete standalone systems, consisting of all necessary hardware to run the top drive on your rig.

250 Tons	Ratio	Gear 1 nominal drill torque	Gear 2 drill torque at max RPM
	18,34	39 300 Nm @ 90 rpm	19 000 Nm @ 170 rpm
	14,39	35 800 Nm @ 95 rpm	17 700 Nm @ 180 rpm
	12,66	32 000 Nm @ 110 rpm	16 000 Nm @ 200 rpm
	11,60	29 100 Nm @ 120 rpm	14 600 Nm @ 220 rpm

Estimated dimensions 250 Tons (l x w x h) mm: 1725 x 1100 x 4800

500 Tons	Ratio	Gear 1 nominal drill torque	Gear 2 drill torque at max RPM
	12,40	60 500 Nm @ 95 rpm	30 500 Nm @ 180 rpm
	11,37	55 600 Nm @ 105 rpm	28 000 Nm @ 200 rpm
10,11	49 400 Nm @ 115 rpm	25 000 Nm @ 220 rpm	

Estimated dimensions 500 Tons (l x w x h) mm: 2175 x 1355 x 5275



Technical information – Electrical driven Top Drives

NorDrills Electrical Top Drive Systems are delivered alone or as complete standalone systems, consisting of all necessary hardware to run the top drive on your rig.

	Ratio	Max cont. drill torque @ speed	Max intermittent drill torque
150 Tons	14,46	29 900 Nm @ 100 rpm	35 300 Nm
	12,71	25 800 Nm @ 120 rpm	31 200 Nm

Estimated dimensions 150 tons (l x w x h) mm: 1520 x 900 x 4600

	Ratio	Max cont. drill torque @ speed	Max intermittent drill torque
250 Tons	11,60	48 800 Nm @ 85 rpm	58 300 Nm
	9,93	42 100 Nm @ 100 rpm	50 300 Nm
	9,10	38 000 Nm @ 110 rpm	46 200 Nm

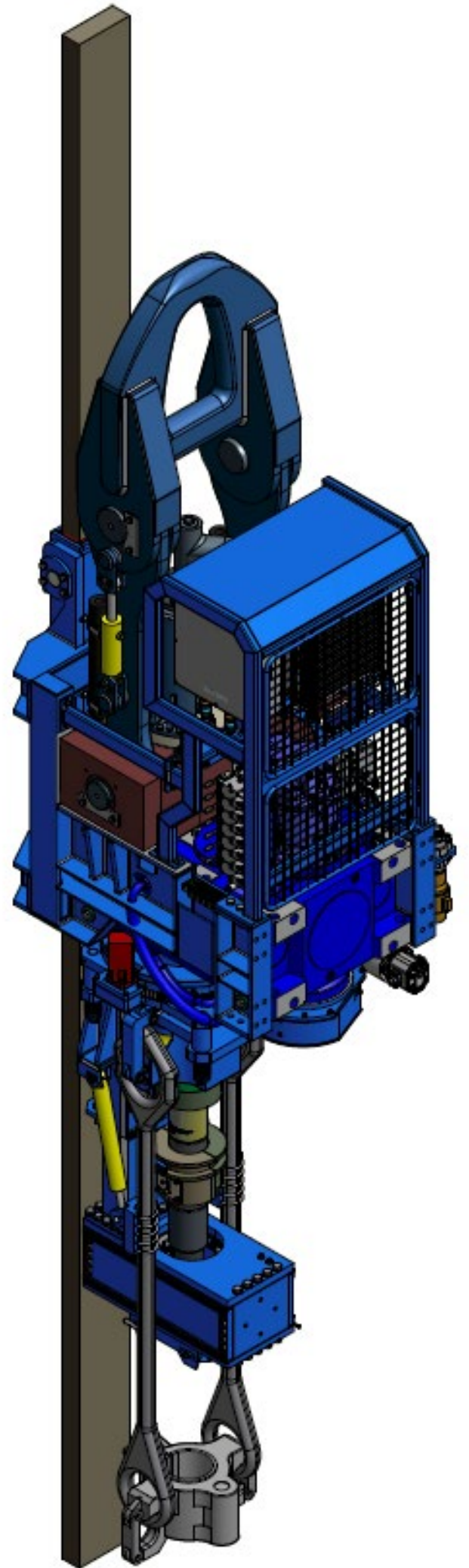
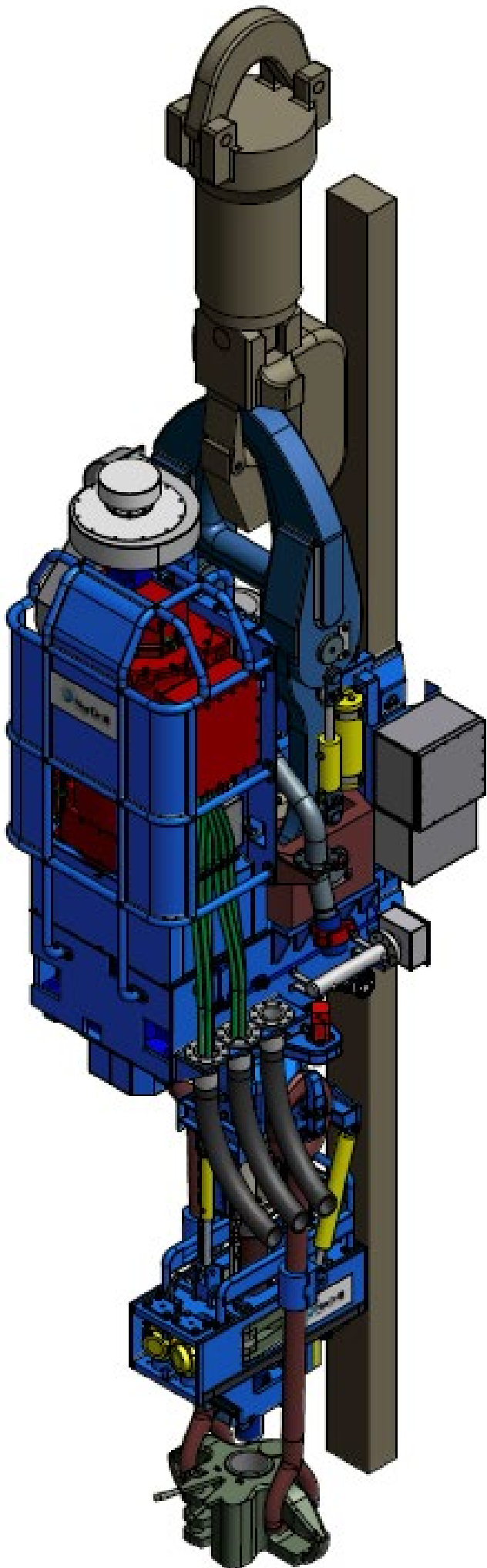
Estimated dimensions 250 Tons (l x w x h) mm: 1725 x 1100 x 4800

	Ratio	Max cont. drill torque @ speed	Max intermittent drill torque
350 Tons	12,40	47 600 Nm @ 120 rpm	57 120 Nm
	11,37	43 500 Nm @ 130 rpm	53 000 Nm
	10,11	39 440 Nm @ 150 rpm	47 600 Nm

Estimated dimensions 350 Tons (l x w x h) mm: 1840 x 1150 x 5015

	Ratio	Max cont. drill torque @ speed	Max intermittent drill torque
500 Tons	12,40	57 100 Nm @ 140 rpm	68 000 Nm
	11,37	51 600 Nm @ 150 rpm	62 500 Nm
	10,11	46 200 Nm @ 170 rpm	55 760 Nm

Estimated dimensions 500 Tons (l x w x h) mm: 2175 x 1355 x 5275



Sales Information

post@nordrill.no

+47 46 70 8800

Headquarters

Vige Havnevei 111
4633 Kristiansand
Norway

www.nordrill.com

NorDrill
Innovation & Power combined